



U74LVC86A

CMOS IC

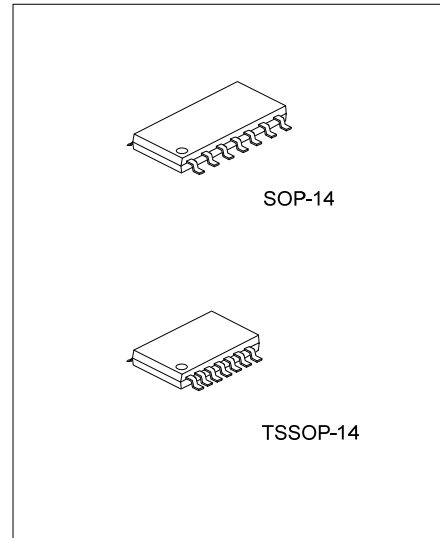
QUAD 2-INPUT EXCLUSIVE OR GATE

DESCRIPTION

The **U74LVC86A** is a quad 2-input exclusive OR gate which performs the function $Y=A \oplus B$ or $Y=\overline{A}B + A\overline{B}$. It is designed for 1.2V to 3.6V operation.

FEATURES

- * Wide supply voltage range from 1.2V to 3.6V
- * Max t_{pd} of 4.6ns at $C_L=50pF$, $V_{CC}=3.3V$
- * Up to 5.5V inputs accept voltages
- * Low power consumption, $I_{CC} = 1 \mu A$ (Max.)
- * Compatible with TTL families

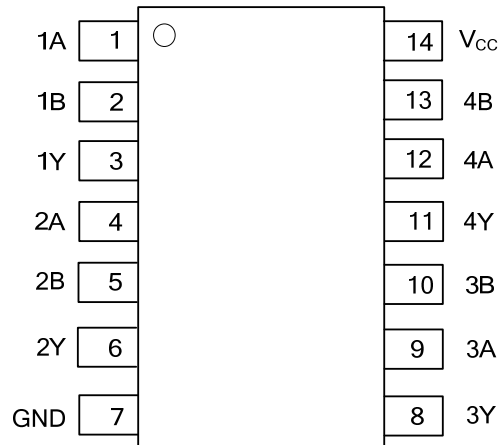


ORDERING INFORMATION

Ordering Number		Package	Packing
Lead Free	Halogen Free		
U74LVC86AL-S14-R	U74LVC86AG-S14-R	SOP-14	Tape Reel
U74LVC86AL-S14-T	U74LVC86AG-S14-T	SOP-14	Tube
U74LVC86AL-P14-R	U74LVC86AG-P14-R	TSSOP-14	Tape Reel
U74LVC86AL-P14-T	U74LVC86AG-P14-T	TSSOP-14	Tube

<p>U74LVC86AL-S14-T</p> <p>(1) Packing Type (2) Package Type (3) Lead Free</p>	<p>(1) R: Tape Reel, T: Tube (2) S14: SOP-14, P14: TSSOP-14 (3) G: Halogen Free, L: Lead Free</p>
--	---

■ PIN CONFIGURATION



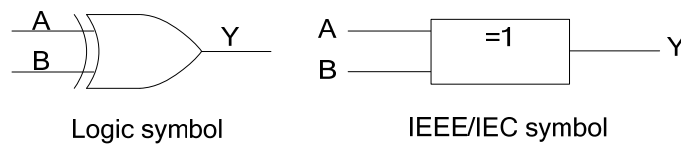
■ F PIN DESCRIPTION

PIN	SYMBOL	FUNCTION
1, 4, 9, 12	1A-4A	Data inputs
2, 5, 10, 13	1B-4B	Data inputs
3, 6, 8, 11	1Y-4Y	Data outputs
7	GND	Ground (0V)
14	V _{CC}	Positive supply voltage

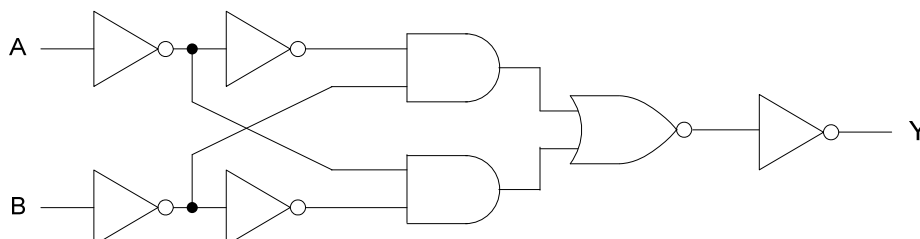
■ FUNCTION TABLE (EACH GATE)

INPUTS		OUTPUT
A	B	Y
L	L	L
L	H	H
H	L	H
H	H	L

■ LOGIC SYMBOL (ONE GATE)



■ LOGIC DIAGRAM (ONE GATE)



■ ABSOLUTE MAXIMUM RATING ($T_A = 25^\circ\text{C}$, unless otherwise specified)

PARAMETER	SYMBOL	TEST CONDITIONS	UNIT
Supply Voltage	V_{CC}	-0.5 ~ 6.5	V
Input Voltage	V_{IN}	-0.5 ~ 5.5	V
Output Voltage (any output in the high or low state)	V_{OUT}	-0.5 ~ $+V_{CC}+0.5$	V
Input Clamp Current	I_{IK}	-50	mA
Output Clamp Current	I_{OK}	-50	mA
Output Current	I_{OUT}	± 50	mA
V_{CC} or GND Current	I_{CC}	± 100	mA
Power Dissipation	P_D	$T_A = -40^\circ\text{C}$ to $+125^\circ\text{C}$ 500	mW
Storage Temperature	T_{STG}	-65 ~ +150	$^\circ\text{C}$

Notes: 1. The input and output voltage ratings may be exceeded if the input and output current ratings are observed.

2. Absolute maximum ratings are those values beyond which the device could be permanently damaged.

Absolute maximum ratings are stress ratings only and functional device operation is not implied.

■ THERMAL DATA

PARAMETER	SYMBOL	RATING	UNIT
Junction to Ambient	θ_{JA}	115	$^\circ\text{C}/\text{W}$

■ RECOMMENDED OPERATING CONDITIONS

PARAMETER	SYMBOL	TEST CONDITIONS	MIN	MAX	UNIT
Supply Voltage	V_{CC}	Max. speed performance	2.7	3.6	V
		Low-voltage applications	1.2	3.6	
High-Level Input Voltage	V_{IH}	$V_{CC} = 1.2\text{V}$	V_{CC}		V
		$V_{CC} = 1.65\text{V} \sim 1.95\text{V}$	$0.65 \times V_{CC}$		
		$V_{CC} = 2.3\text{V} \sim 2.7\text{V}$	1.7		
		$V_{CC} = 2.7\text{V} \sim 3.6\text{V}$	2.0		
Low-Level Input Voltage	V_{IL}	$V_{CC} = 1.2\text{V}$		GND	V
		$V_{CC} = 1.65\text{V} \sim 1.95\text{V}$		$0.35 \times V_{CC}$	
		$V_{CC} = 2.3\text{V} \sim 2.7\text{V}$		0.7	
		$V_{CC} = 2.7\text{V} \sim 3.6\text{V}$		0.8	
Input Voltage	V_{IN}		0	5.5	V
Output Voltage	V_{OUT}		0	V_{CC}	V
Input Transition Rise or Fall Rate	$\Delta t/\Delta v$	$V_{CC} = 1.2 \sim 2.7\text{V}$		20	ns/V
		$V_{CC} = 2.7 \sim 3.6\text{V}$		10	
Operating Temperature	T_A		-40	+85	$^\circ\text{C}$

■ ELECTRICAL CHARACTERISTICS

PARAMETER	SYMBOL	TEST CONDITIONS	MIN	TYP	MAX	UNIT
High-Level Output Voltage	V _{OH}	I _{OH} = -100μA, V _{CC} = 1.65V ~ 3.6V V _I = V _{IH} or V _{IL}	V _{CC} - 0.2			V
		I _{OH} = -4mA, V _{CC} = 1.65V V _I = V _{IH} or V _{IL}	1.29			
		I _{OH} = -8mA, V _{CC} = 2.3V V _I = V _{IH} or V _{IL}	1.9			
		I _{OH} = -12mA, V _{CC} = 2.7V V _I = V _{IH} or V _{IL}	2.2	V _{CC}		
		I _{OH} = -18mA, V _{CC} = 3.0V V _I = V _{IH} or V _{IL}	2.4			
		I _{OH} = -24mA, V _{CC} = 3.0V V _I = V _{IH} or V _{IL}	2.3			
Low-Level Output Voltage	V _{OL}	I _{OH} = 100μA, V _{CC} = 1.65V ~ 3.6V V _I = V _{IH} or V _{IL}			0.1	V
		I _{OH} = 4mA, V _{CC} = 1.65V, V _I = V _{IH} or V _{IL}			0.24	
		I _{OH} = 8mA, V _{CC} = 2.3V, V _I = V _{IH} or V _{IL}			0.3	
		I _{OH} = 12mA, V _{CC} = 2.7V, V _I = V _{IH} or V _{IL}			0.4	
		I _{OH} = 24mA, V _{CC} = 3.0V, V _I = V _{IH} or V _{IL}			0.55	
Input Leakage Current	I _{I(LEAK)}	V _{IN} = 5.5V or GND, V _{CC} = 3.6V		±0.1	±1	μA
Quiescent Supply Current	I _{CC}	V _{IN} = V _{CC} or GND, I _{OUT} = 0, V _{CC} = 3.6V		0.1	1	μA
Additional quiescent Supply Current	Δ I _{CC}	One input at V _{CC} - 0.6V, other inputs at V _{CC} or GND, I _{OUT} = 0, V _{CC} = 2.7V ~ 3.6V		5	500	μA
Input Capacitance	C _{IN}	V _{IN} = V _{CC} or GND, V _{CC} = 3.3V		5.0		pF

Note: 1. All typical values are at V_{CC} = 3.3 V, T_A = 25 °C

■ SWITCHING CHARACTERISTICS

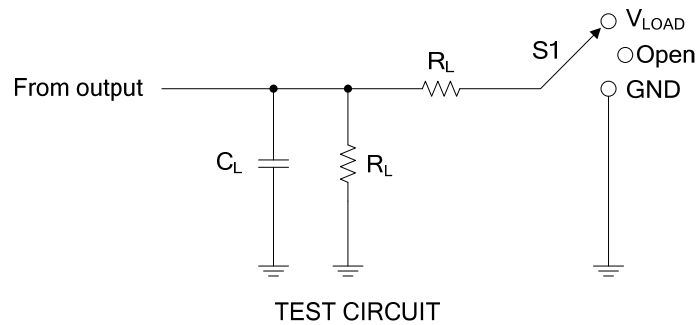
PARAMETER	SYMBOL	TEST CONDITIONS	MIN	TYP	MAX	UNIT
Propagation delay from input (A or B) to output (Y)	t _{PLH} /t _{PHL}	V _{CC} = 1.2V, C _L = 50 pF, R _L = 500Ω		11		ns
		V _{CC} = 1.8V ±0.15V, C _L = 30 pF, R _L = 1KΩ	1	4.1	9.4	
		V _{CC} = 2.5V ±0.2V, C _L = 50 pF, R _L = 500Ω	1	2.9	7.1	
		V _{CC} = 2.7V, C _L = 50 pF, R _L = 500Ω	1	2.8	5.4	
		V _{CC} = 3.3 ±0.3V, C _L = 30pF, R _L = 500Ω	1	2.5	4.4	

Note: 1. All typical values are at V_{CC} = 3.3 V, T_A = 25 °C

■ OPERATING CHARACTERISTICS

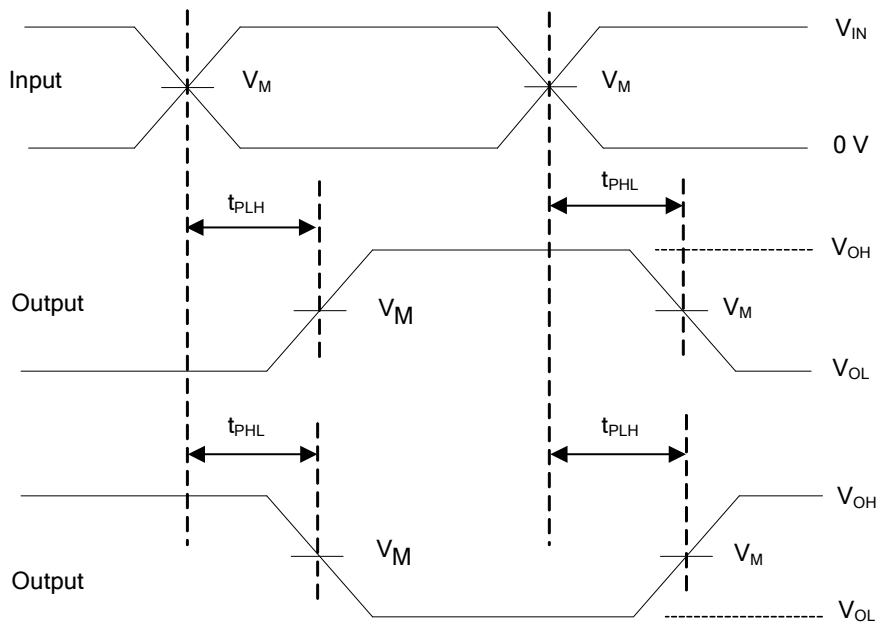
PARAMETER	SYMBOL	TEST CONDITIONS	TYP	UNIT
Power Dissipation Capacitance Per Gate	C _{pd}	V _{CC} = 3.3V	28	pF

■ TEST CIRCUIT AND WAVEFORMS



TEST	S1
t_{PLH}/t_{PHL}	Open

V_{CC}	Input		V_M	V_{LOAD}	C_L	R_L
	V_{IN}	t_R, t_F				
1.8V	V_{CC}	$\leq 2\text{ns}$	$V_{CC}/2$	$2 \times V_{CC}$	30pF	1K Ω
2.5V	V_{CC}	$\leq 2\text{ns}$	$V_{CC}/2$	$2 \times V_{CC}$	50pF	500 Ω
2.7V	2.7V	$\leq 2.5\text{ns}$	1.5V	6V	50pF	500 Ω
3.3V	3.3V	$\leq 2.5\text{ns}$	1.5V	6V	50pF	500 Ω



Propagation delay times
Inverting and noninverting outputs

Notes: 1. C_L includes probe and jig capacitance.

2. All input pulses are supplied by generators having the following characteristics: PRR $\leq 10\text{MHz}$, $Z_O = 50\Omega$.

UTC assumes no responsibility for equipment failures that result from using products at values that exceed, even momentarily, rated values (such as maximum ratings, operating condition ranges, or other parameters) listed in products specifications of any and all UTC products described or contained herein. UTC products are not designed for use in life support appliances, devices or systems where malfunction of these products can be reasonably expected to result in personal injury. Reproduction in whole or in part is prohibited without the prior written consent of the copyright owner. The information presented in this document does not form part of any quotation or contract, is believed to be accurate and reliable and may be changed without notice.